



ANP-ES GmbH

Equipment Services

ANP-ES Equipment Services GmbH is a subsidiary of ANP Systems GmbH based in Grabenstätt am Chiemsee in Bavaria, Germany.

In addition to developing, manufacturing, selling and maintaining tensioners, hydraulic units and other tensioning and testing equipment, we also offer our customers the option of hiring the equipment they need from our extensive rental park.

No matter whether you need equipment for a short-term job or want to hire a tensioning jack with a power pack for a longer period then you're in the right place.





The key benefits:

The advantages of hiring the equipment are obvious:

- Use fully serviced and calibrated measuring and testing equipment
- No purchase or storage costs
- Save on costs for spare parts and maintenance personnel

Expert training:

To help you get the most out of the equipment you hire, our trained staff are on hand to provide you with expert advice on how to use and operate our equipment when you come to pick it up.

If you need on-site training, for example when carrying out an acceptance test, we can also provide you with the appropriate assistance.

Drop-off and collection service:

We are happy to deliver your equipment to wherever you need it. If you are unable to pick up or return your rental equipment yourself, you can take advantage of our drop-off and collection service for a reasonable flat-rate fee. We will deliver the equipment you have hired safely and reliably to wherever you need it, saving you time and money and eliminating the need to worry about how to transport it safely.

Rapid assistance with technical issues:

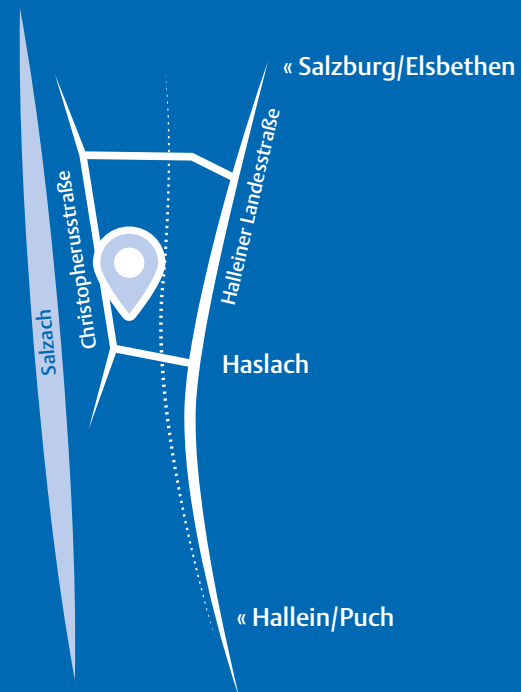
Our workshop ensures that our rental equipment is in perfect working order, and should any problems arise, our experienced and highly trained staff are on hand to provide rapid assistance.

We are also happy to repair, maintain and calibrate customer-owned equipment.



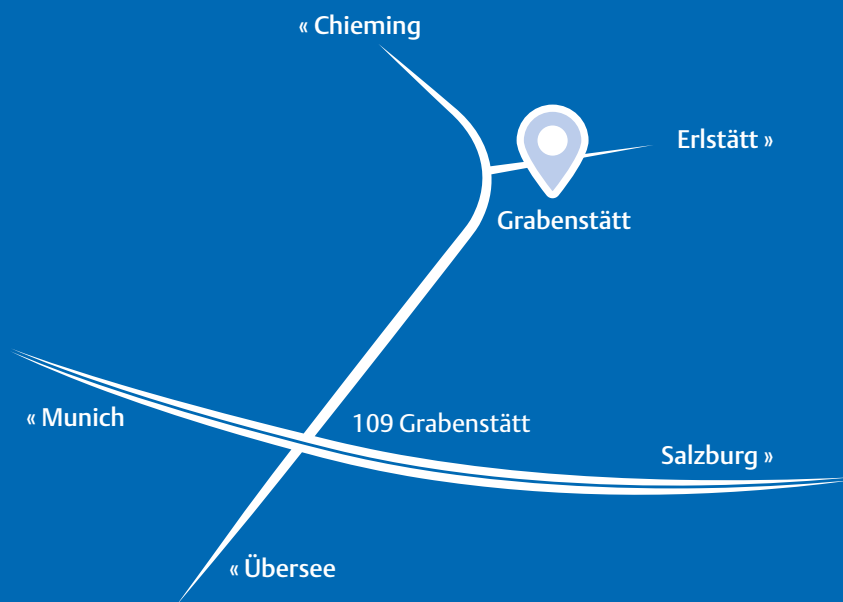
Collection address in Austria

Christophorus Str. 12
5061 Elsbethen, Austria
Phone +43 662 253253-0
info@anp-systems.at



Collection address in Germany

Gewerbe Str. 15
83355 Grabenstätt, Germany
Phone +49 8661 983 486 7
info@anp-es.com



Rental fees for tensioning equipment:

Model	Description	Provision Euro/pc.	Rental/calendar day Euro/day
E300KN + SP	Enerpac 300KN bar tensioning jack, incl. chair, hand pump with pressure gauge and hose, tensioning spindle	66.00	20.40
E600KN + SP	Enerpac 600KN bar tensioning jack, incl. chair, hand pump with pressure gauge and hose, tensioning spindle	66.00	26.40
300KN-L + 77-193	300KN strand-tearing jack, incl. hydraulic unit with hoses and high-precision pressure gauge	143.00	44.40
1090KN-L + 77-193 + WE	Tensa 1090KN strand tensioning jack, incl. chair, changeover device, hydraulic power unit with hoses and high-precision pressure gauge	143.00	52.80
1090KN-S + 77-193 + SP	Tensa 1090KN bar tensioning jack, incl. front head and key sleeve, tensioning spindle, hydraulic unit with hoses and high-precision pressure gauge	143.00	46.80
1200KN-L + 77-193 + WE	1200KN lightweight carbon fibre strand tensioning jack incl. chair, changeover device, hydraulic power unit with hoses and high-precision pressure gauge	143.00	58.80
HKZ-Alu-1200	Hydraulic hollow piston cylinder Aluminium 1200KN incl. chair, changeover device, hydraulic power unit with hoses and high-precision pressure gauge or incl. attachment head and key sleeve, clamping spindle, hydraulic power unit with hoses and high-precision pressure gauge	143.00	58.80
1500KN-L + 77-193 + WE	Tensa 1500KN strand tensioning jack, incl. chair, changeover device, hydraulic power unit with hoses and high-precision pressure gauge	143.00	54.00
1500KN-S + 77-193 + SP	Tensa 1500KN bar tensioning jack incl. front head and key sleeve, tensioning spindle, hydraulic unit with hoses and high-precision pressure gauge	143.00	54.00
1700KN-L + 77-193 + WE	1700KN CFRP lightweight carbon fibre strand tensioning jack, incl. chair, changeover device, hydraulic power unit with hoses and high-precision pressure gauge	143.00	73.20
HKZ-Alu-1700	Hydraulic hollow piston cylinder Aluminium 1700KN incl. chair, changeover device, hydraulic power unit with hoses and high-precision pressure gauge or incl. attachment head and key sleeve, clamping spindle, hydraulic power unit with hoses and high-precision pressure gauge	143.00	73.20

Model	Description	Provision Euro/pc.	Rental/calendar day Euro/day
2100KN-L + 77-193 + WE	Tensa 2100KN strand tensioning jack. incl. chair. changeover device. hydraulic power unit with hoses and high-precision pressure gauge	143.00	66.00
2100KN-S + 77-193 + SP	Tensa 2100KN bar tensioning jack incl. front head and key sleeve. tensioning spindle. hydraulic unit with hoses and high-precision pressure gauge	143.00	66.00
2700KN-L + 77-193 + WE	2700KN CFRP. lightweight carbon fibre strand tensioning jack incl. chair. changeover device. hydraulic power unit with hoses and high-precision pressure gauge	143.00	114.00
3000KN-L + 77-220 + WE	Tensa 3000KN strand tensioning jack incl. chair. changeover device. hydraulic power unit with hoses and high-precision pressure gauge	143.00	93.60
3500KN-L + 77-220 + WE	Tensa 3500KN strand tensioning jack incl. chair. changeover device. hydraulic power unit with hoses and high-precision pressure gauge	143.00	126.00
HKZ-Stahl-3500	Hydraulic hollow piston cylinder Steel 3500KN incl. chair. changeover device. hydraulic power unit with hoses and high-precision pressure gauge or incl. attachment head and key sleeve, clamping spindle, hydraulic power unit with hoses and high-precision pressure gauge	143.00	126.00
4800KN-L + 77-220 + WE	Tensa 4800KN strand tensioning jack incl. chair. changeover device. hydraulic power unit with hoses and high-precision pressure gauge	143.00	156.00
77-199.40	Pressure stabiliser	99.00	40.80
AHV-100/140-1200	Hydraulic lifting device 1200KN for smooth 100-140 mm diameter anchor plates incl. hydraulic hand pump with hose	180.00	260.00
KON-HSX565F	HSX565F hydraulic counter-torque tool for 40T+35TR plate anchors. incl. accessories	77.00	12.60
KON_HSX12115W	HSX565F hydraulic counter-torque tool for 40T+35TR plate anchors. incl. accessories	137.50	25.80
KON-K60TF	K60TF hydraulic counter-torque tool for 40T+35TR+43TR couplings incl. accessories	89.50	13.80
KON-K200TF	K200TF hydraulic counter-torque tool for 50T+57T+63T+50TR+57TR+63TR coupler connections and 63TR plate anchorages incl. accessories	137.50	25.80
KON-AGGR	XB2-Z-XB hydraulic unit incl. hose set. suitable for counter-torque tools	72.00	5.90

Model	Description	Provision Euro/pc.	Rental/calendar day Euro/day
DMS140-620	140-620 Nm torque wrench for T20-T32 or TR18-TR28 bits with 2 Ridgid pliers, 1 extension, 2 clamps, 1 intercepting clamp	-	24.00
DMS520-1000	520-1000 Nm torque wrench for T40-T75 or TR30-TR75 bits with 2 Ridgid pliers, 1 extension, 2 clamps, , 1 intercepting clamp	-	27.60
WACHSK	Complete wax boiler not including gas bottle	66.00	18.00
Ribbed tube cutter	Cutter for ribbed tubes up to DN 125 mm	-	6.00
PE-sheeting cutter	PE-sheeting cutter for sheeting up to 0.62	-	6.00
Cable sensor	Measuring device with cable sensor for long extensions	66.00	18.00
Test beam	Test beam for micropile testing up to test loads of 1800 kN	88.00	60.00
Stand for dial gauge	Stand for dial gauge incl. measuring disc for nail and anchor testing	5.50	12.00
Crossbeam for dial gauge	Crossbeam for dial gauge incl. trestles for spans of up to 4.50 m	5.50	12.00
Analogue dial gauge	Analogue dial gauge for testing	5.50	18.00
Load cell	Load cell incl. hand-held display unit for up to 3,500 kN	22.00	42.00

Notes:

Prices valid from: 01/01/2025 - 31/12/2025

Invoicing basis: Calendar day

Start of rental: Date of loading

End of rental: Return date

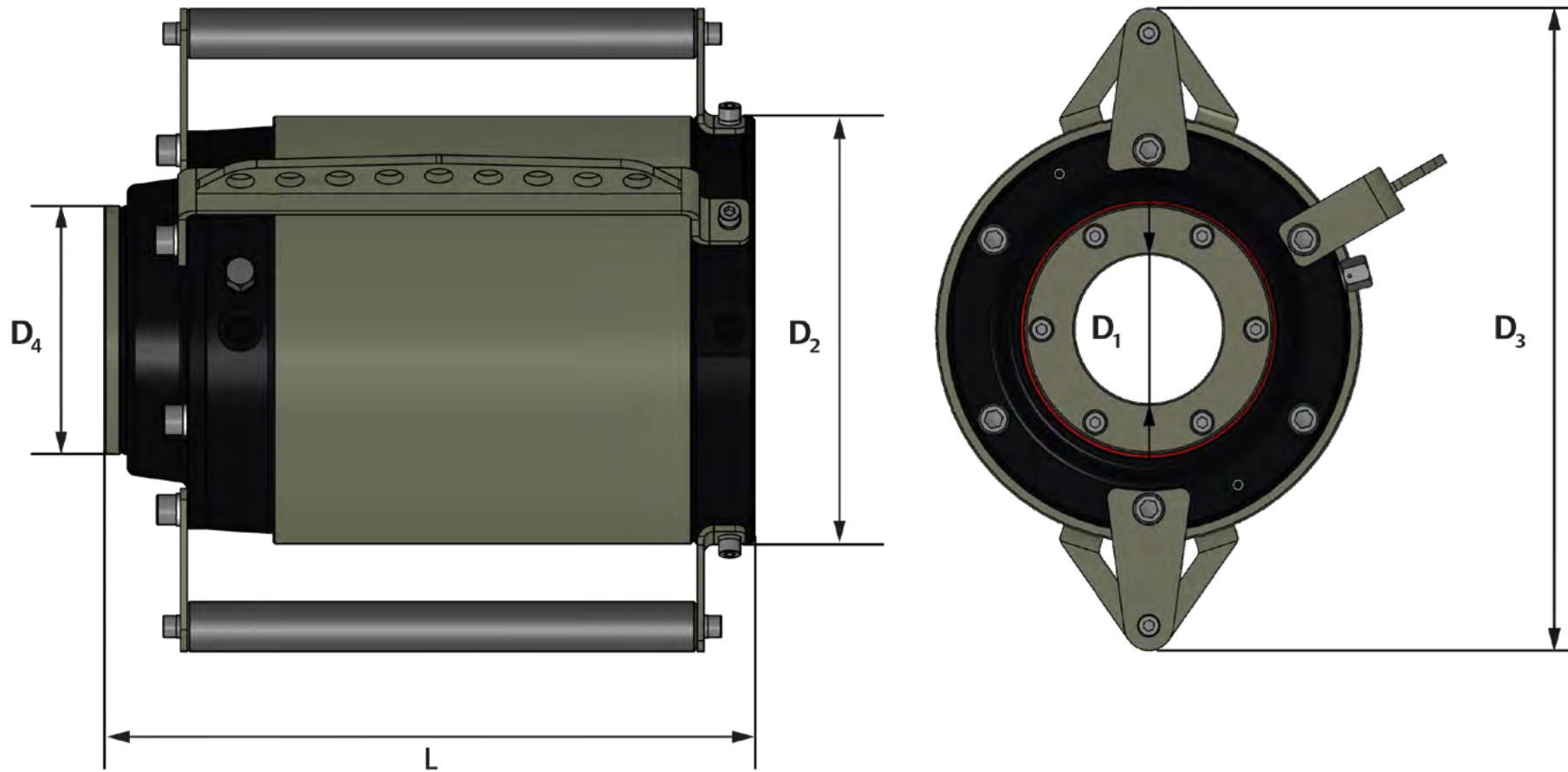
Repairs to and cleaning of rented items will be charged at cost.

Delivery and Pick-up: Transport costs are charged at cost

Hourly rates for services:

Tensioning engineer:	Euro 92.00	per hour
Tensioning technician:	Euro 76.00	per hour
Civil engineer/technician:	Euro 85.00	per hour
Overnight accommodation allowance:	Euro 118.00	per person & night
km allowance for service vehicle:	Euro 0.92	per km

ANP Hydraulic hollow piston cylinder:



Summary of ANP Hydraulic hollow piston cylinders:

Description: Hydraulic hollow piston cylinder	Press force	Stroke	Max. operating pressure	Passage D ₁	Length L	Outer diameter D ₂	Max. ou- ter diame- ter D ₃	Diameter of pressure piece D ₄	Dry weight
	{kN}	{mm}	{bar}	{mm}	{mm}	{mm}	{mm}	{mm}	{kg}
HKZ_Alu_1200-200-90	1.319.00	200.00	700.00	90.00	392.50	258.00	388.00	149.00	54.35
HKZ_Alu_1200-150-90	1.319.00	150.00	700.00	90.00	342.50	258.00	388.00	149.00	46.75
HKZ_Alu_1200-100-90	1.319.00	100.00	700.00	90.00	292.50	258.00	388.00	149.00	39.16
HKZ_Alu_1200-80-90	1.319.00	80.00	700.00	90.00	272.50	258.00	388.00	149.00	36.12
HKZ_Alu_1200-50-90	1.319.00	50.00	700.00	90.00	242.50	258.00	388.00	149.00	31.57
HKZ_Alu_1700-350-110	1.854.00	350.00	700.00	110.00	552.50	295.00	425.00	179.00	96.17
HKZ_Alu_1700-250-110	1.854.00	250.00	700.00	110.00	452.50	295.00	425.00	179.00	77.34
HKZ_Alu_1700-150-110	1.854.00	150.00	700.00	110.00	352.50	295.00	425.00	179.00	58.74
HKZ_Alu_1700-100-110	1.854.00	100.00	700.00	110.00	302.50	295.00	425.00	179.00	49.45
HKZ_Alu_1700-50-110	1.854.00	50.00	700.00	110.00	252.50	295.00	425.00	179.00	40.17
HKZ_Stahl_3500-500-155	3.748.00	500.00	700.00	155.00	368.50	376.00	477.00	239.00	339.83
HKZ_Stahl_3500-300-155	3.748.00	300.00	700.00	155.00	518.50	376.00	477.00	239.00	243.81

* Carbon fibre

Summary of standard tensioning jacks:

Description: Hydraulic hollow piston cylinder	Press force	Stroke	Max. operating pressure	Passage D ₁	Length L	Outer diameter D ₂	Max. outer diameter D ₃	Dry weight
	{kN}	{mm}	{bar}	{mm}	{mm}	{mm}	{mm}	{kg}
E300KN + SP	300.00	60.00	700.00	33.00	180.00	115.00	180.00	10.00
E600KN + SP	600.00	80.00	700.00	54.00	250.00	170.00	170.00	27.00
1090KN-L + 77-193 + WE	1,090.00	200.00	700.00	85.00	420.00	230.00	360.00	54.00
1090KN-S + 77-193 + SP	1,090.00	200.00	700.00	85.00	420.00	230.00	360.00	54.00
*1200KN-L + 77-193 + WE	1,200.00	180.00	700.00	90.00	400.00	225.00	170.00	35.00
1500KN-L + 77-193 + WE	1,500.00	250.00	700.00	120.00	550.00	280.00	430.00	150.00
1500KN-S + 77-193 + SP	1,500.00	250.00	700.00	120.00	550.00	280.00	430.00	150.00
*1700KN-L + 77-193 + WE	1,700.00	250.00	700.00	110.00	500.00	270.00	430.00	55.00
2100KN-L + 77-193 + WE	2,100.00	250.00	700.00	140.00	560.00	330.00	520.00	215.00
2100KN-S + 77-193 + SP	2,100.00	250.00	700.00	140.00	560.00	330.00	520.00	215.00
*2700KN-L + 77-193 + WE	2,700.00	250.00	700.00	150.00	480.00	330.00	510.00	93.00
3000KN-L + 77-220 + WE (kurz)	3,000.00	250.00	700.00	150.00	580.00	330.00	500.00	230.00
3000KN-L + 77-220 + WE (lang)	3,000.00	460.00	700.00	150.00	770.00	330.00	500.00	365.00
3500KN-L + 77-220 + WE	3,500.00	250.00	700.00	155.00	580.00	390.00	520.00	300.00

* Carbon fibre

Tailor-made solutions

Haven't found the testing and clamping equipment you need for your project?

No problem! Thanks to our in-house development and production of clamping and testing equipment, we can provide a solution tailored to your individual project specifications, thus helping you to solve your problem.



ANP-Systems GmbH

Christophorusstrasse 12
5061 Elsbethen, Austria

Phone +43 662 253253-0

info@anp-systems.at

www.anp-systems.at

Equipment Services

Gewerbestrasse 15
83355 Grabenstätt, Germany

Phone +49 8661 983 486 7

info@anp-es.com

www.anp-es.com